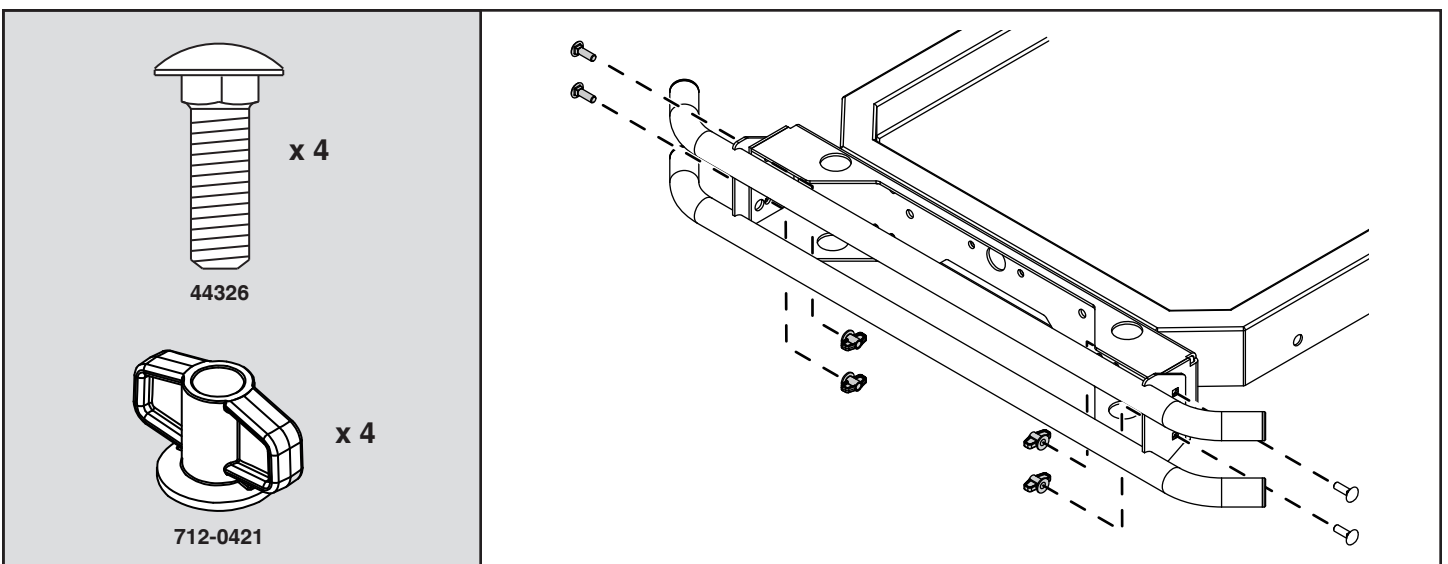
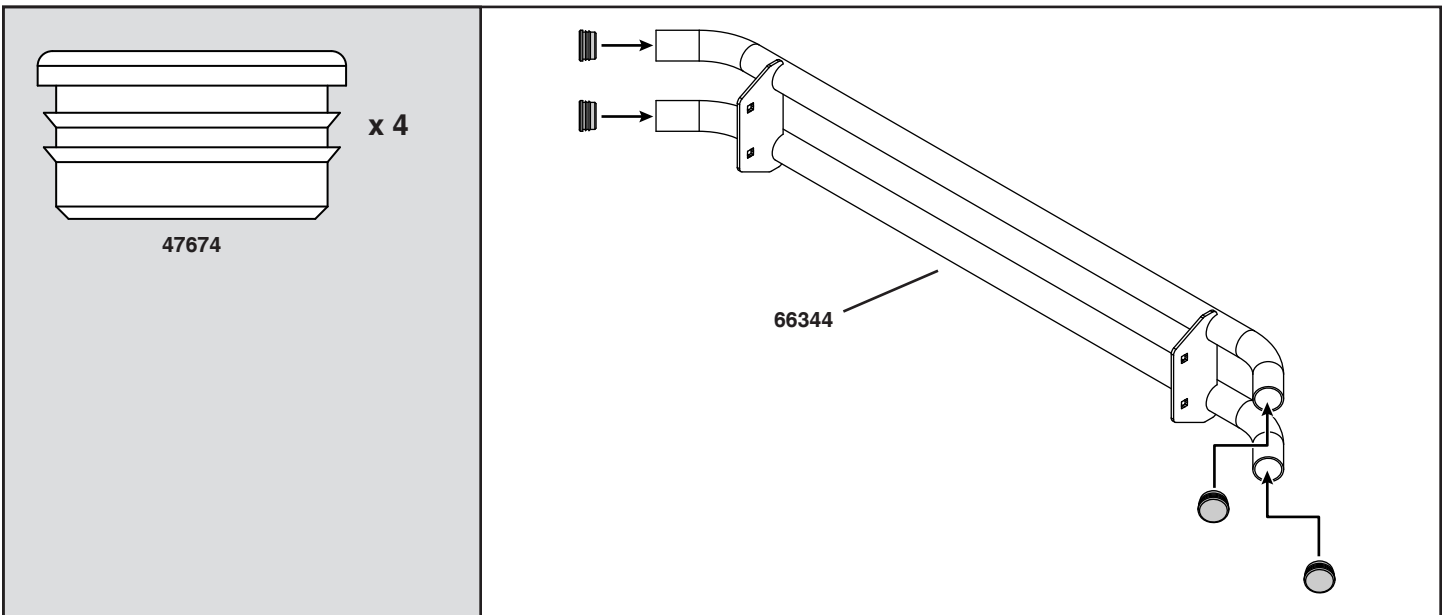


# Model No. 45-0461

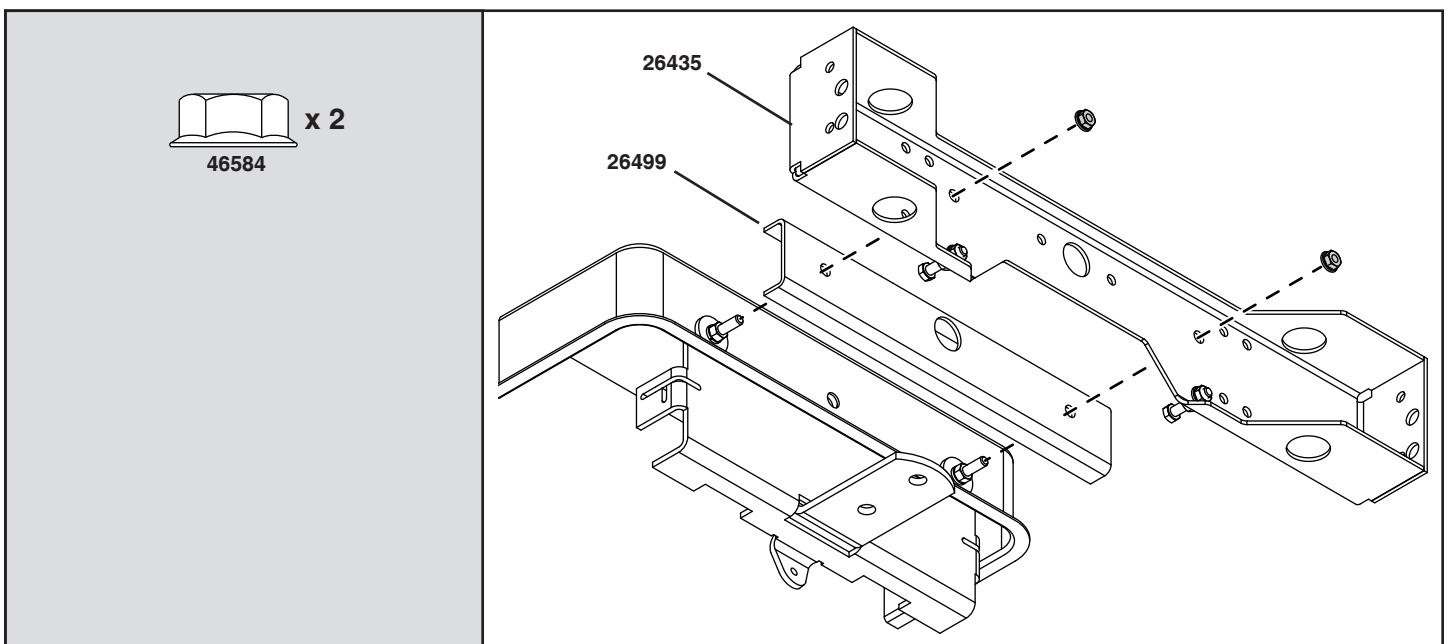
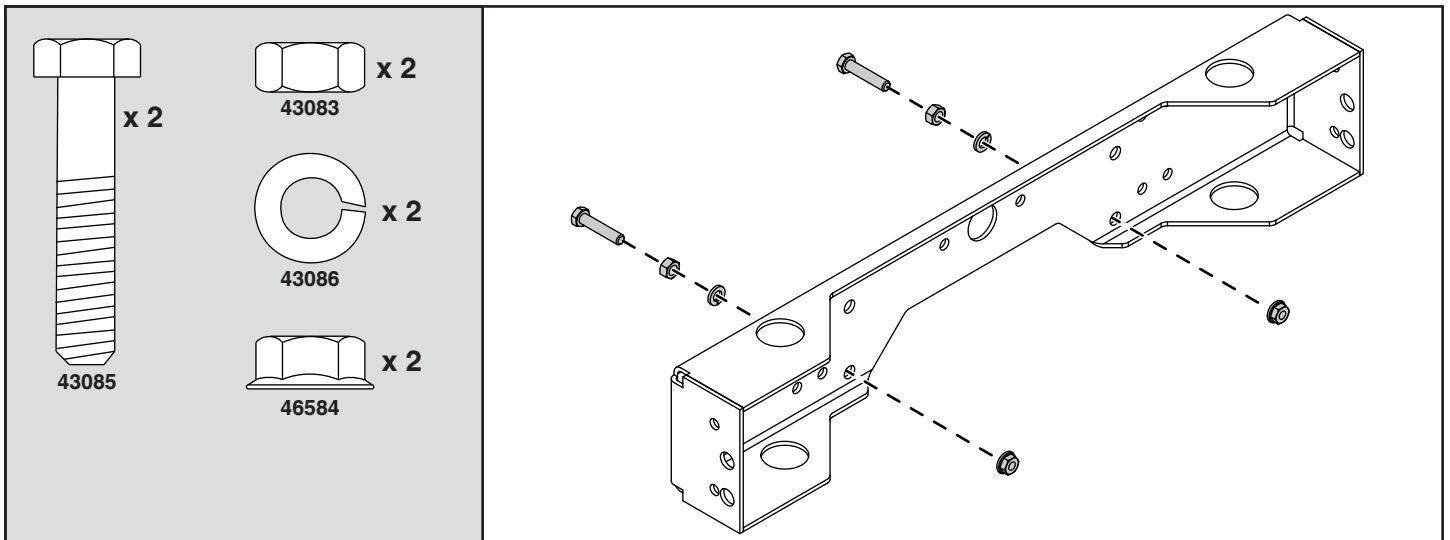
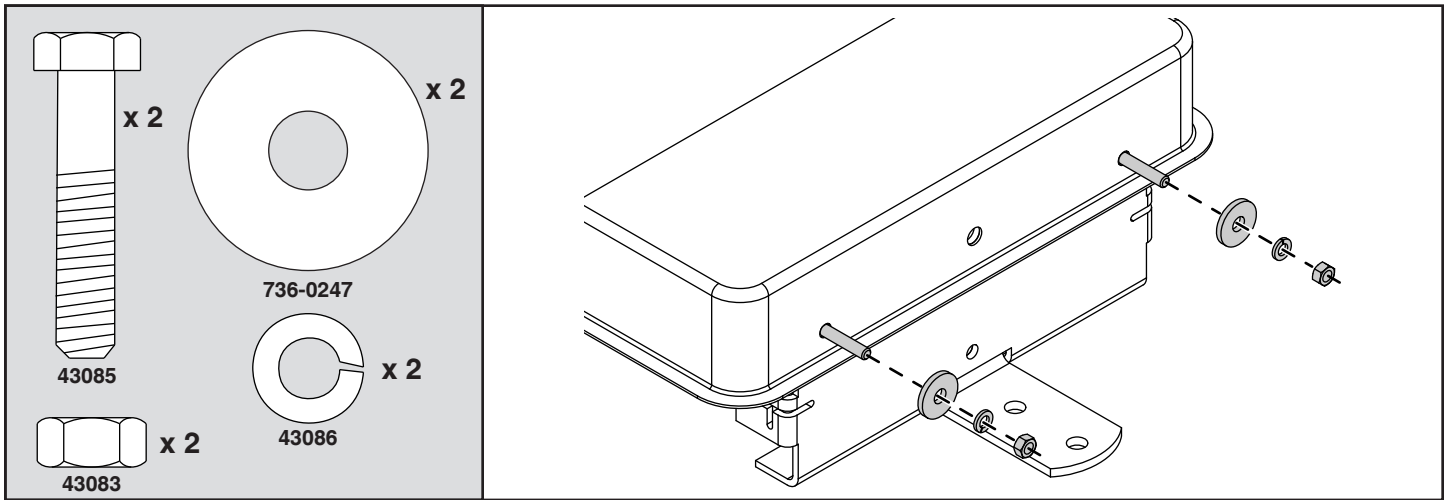
## BUMPER (WITH ADAPTER)

ASSEMBLE ADAPTER FIRST. SEE PAGES 2 THROUGH 7.



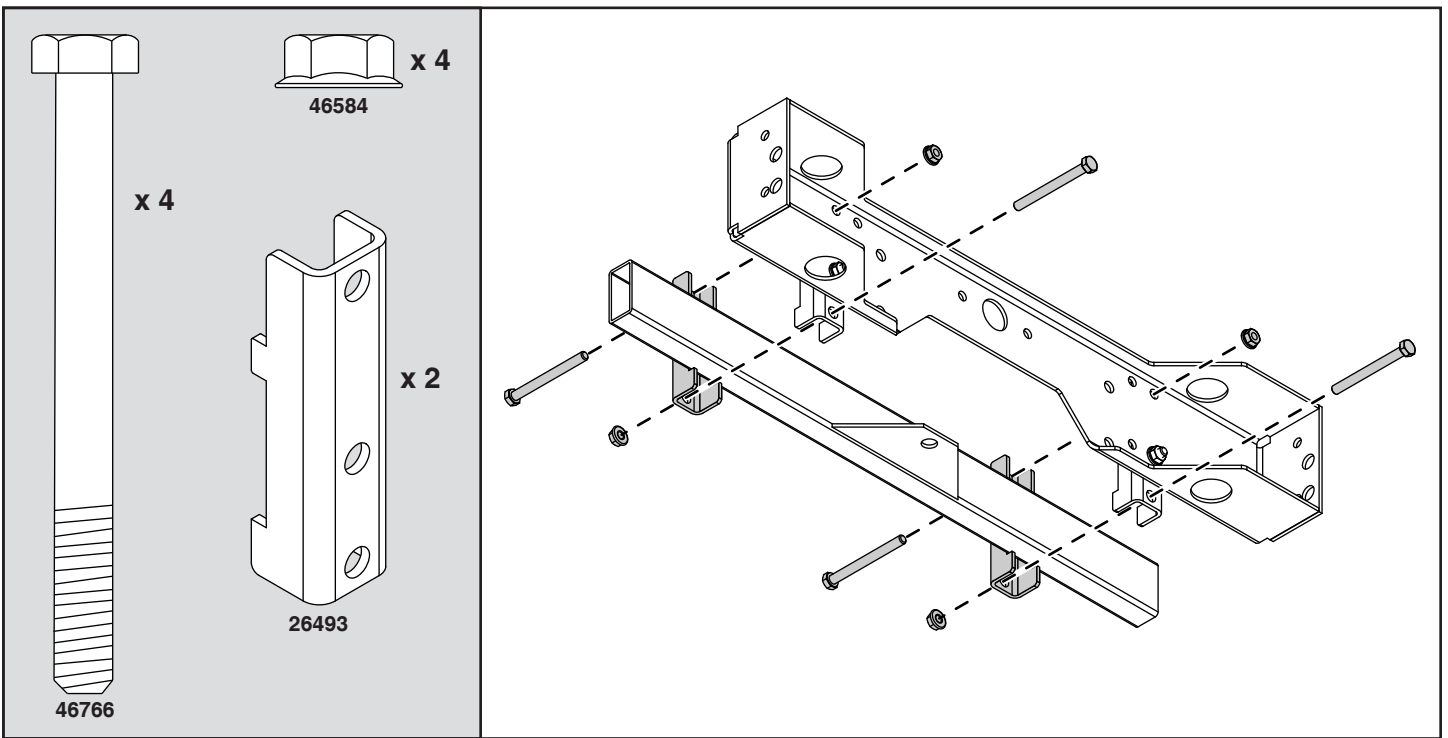
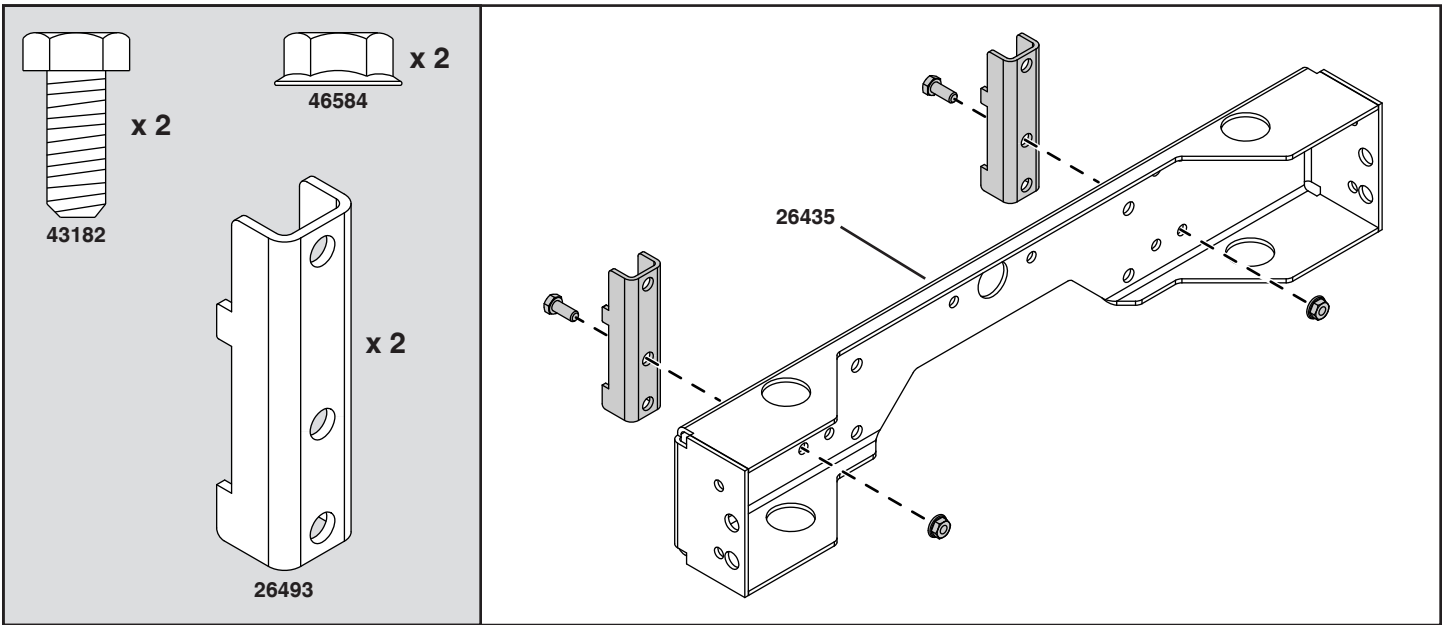
# CRAFTSMAN ZT TRACTOR FIT-UP

## PARTS BAG "A"



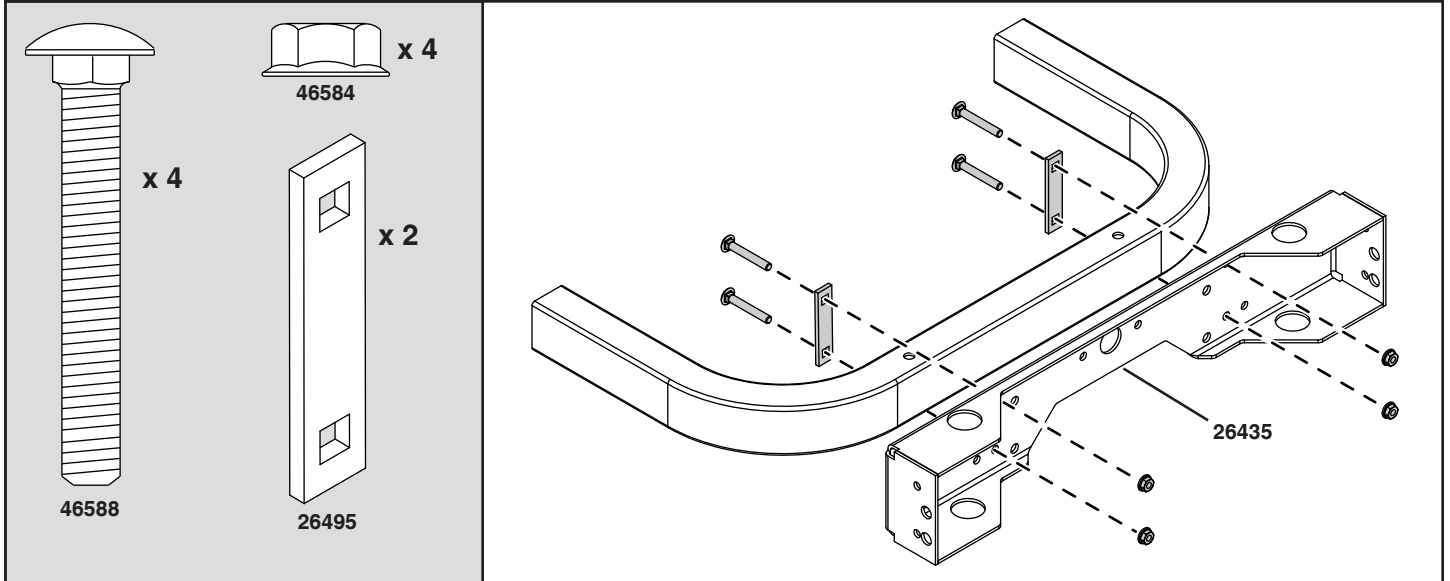
# SWISHER ZT TRACTOR FIT-UP

## PARTS BAG "B"



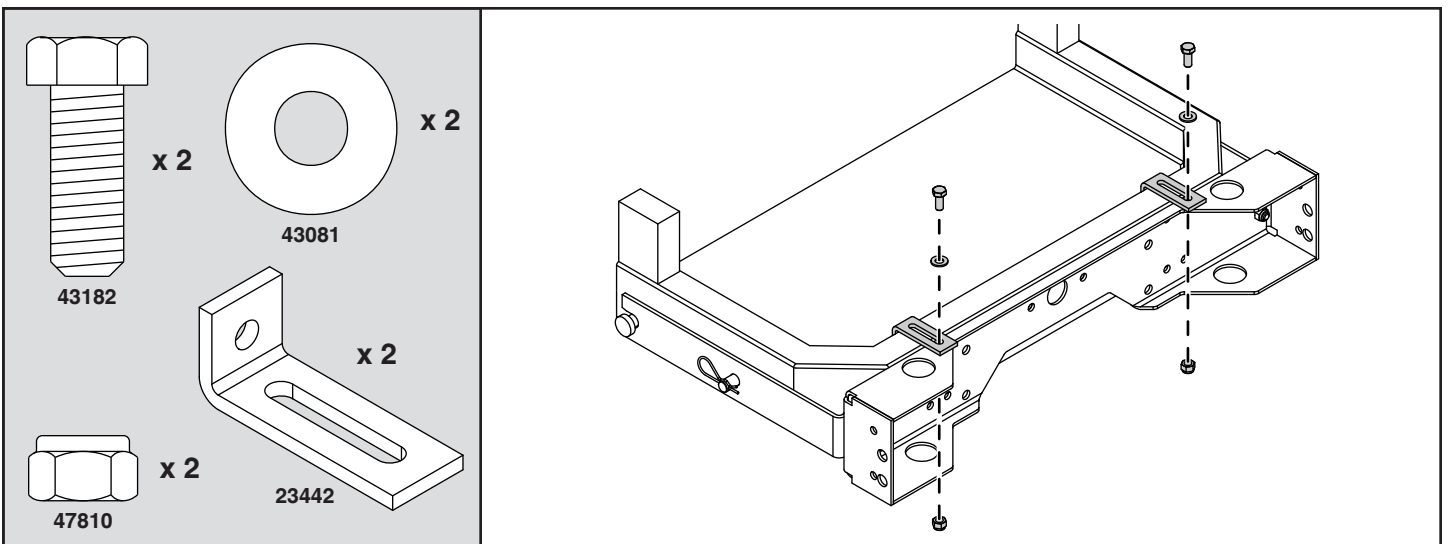
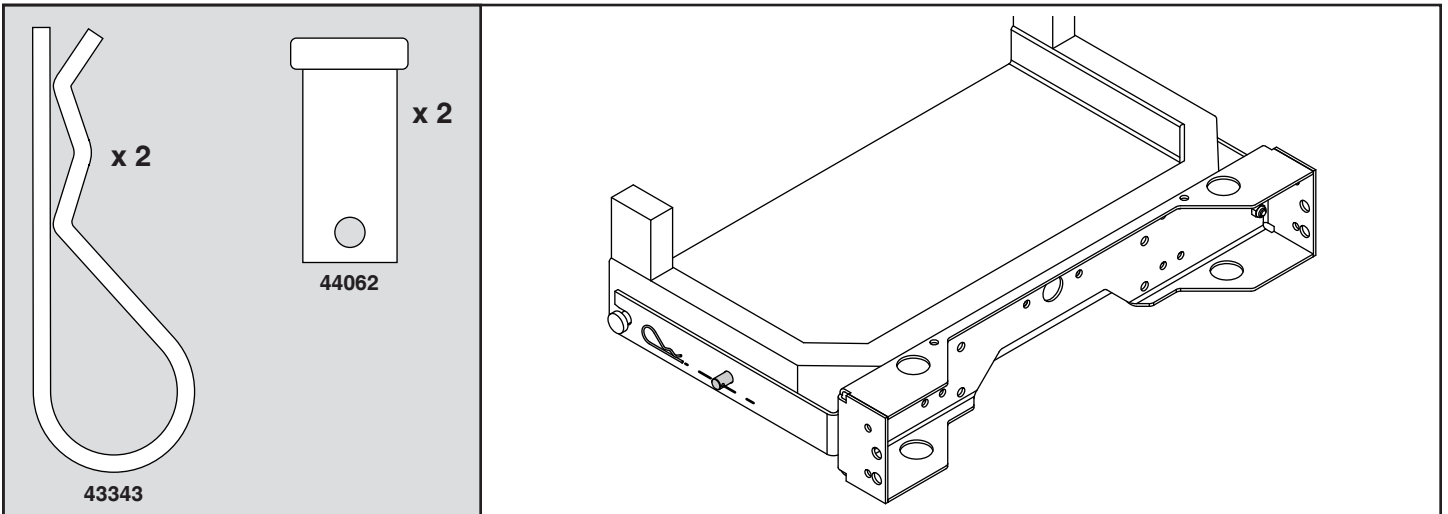
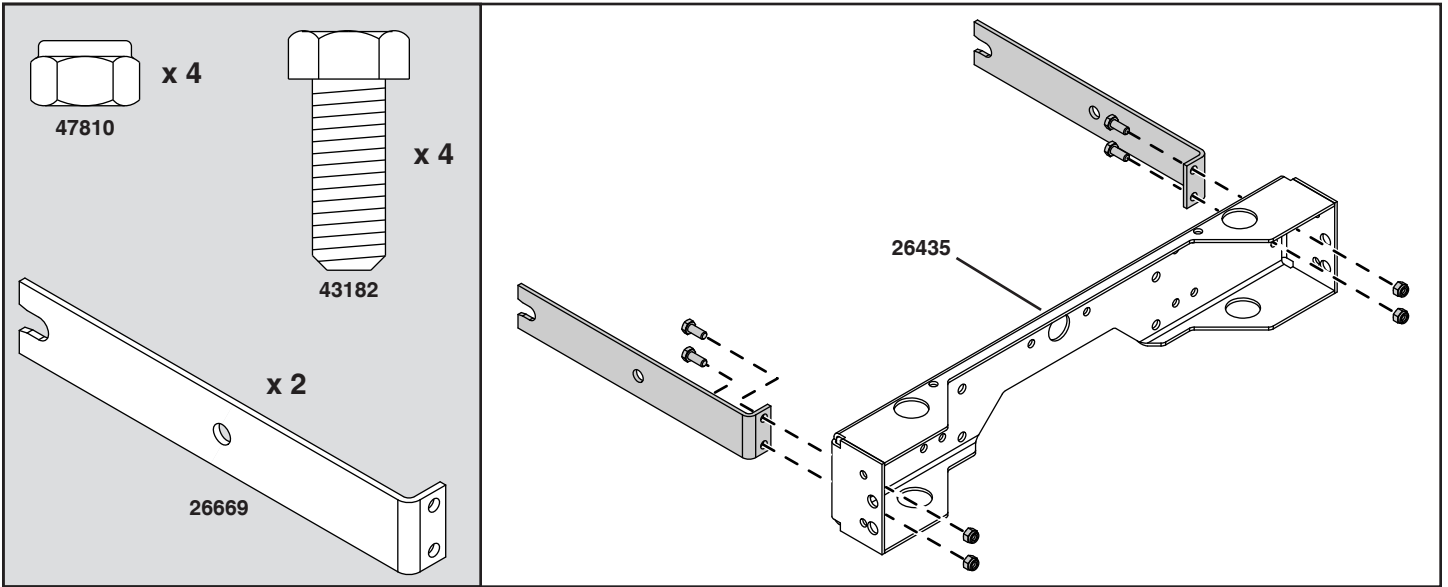
# JOHN DEERE ZT TRACTOR FIT-UP

## PARTS BAG "C"



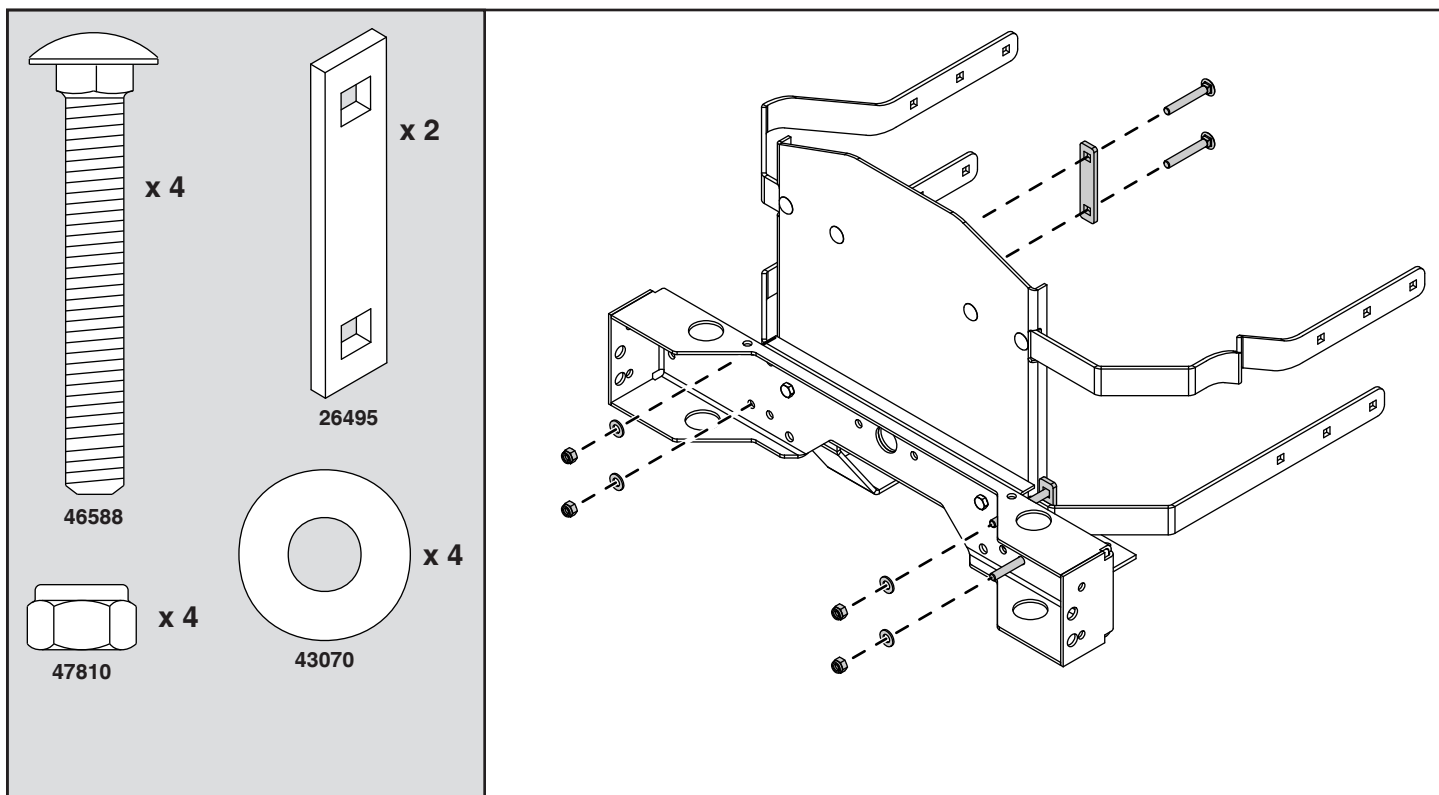
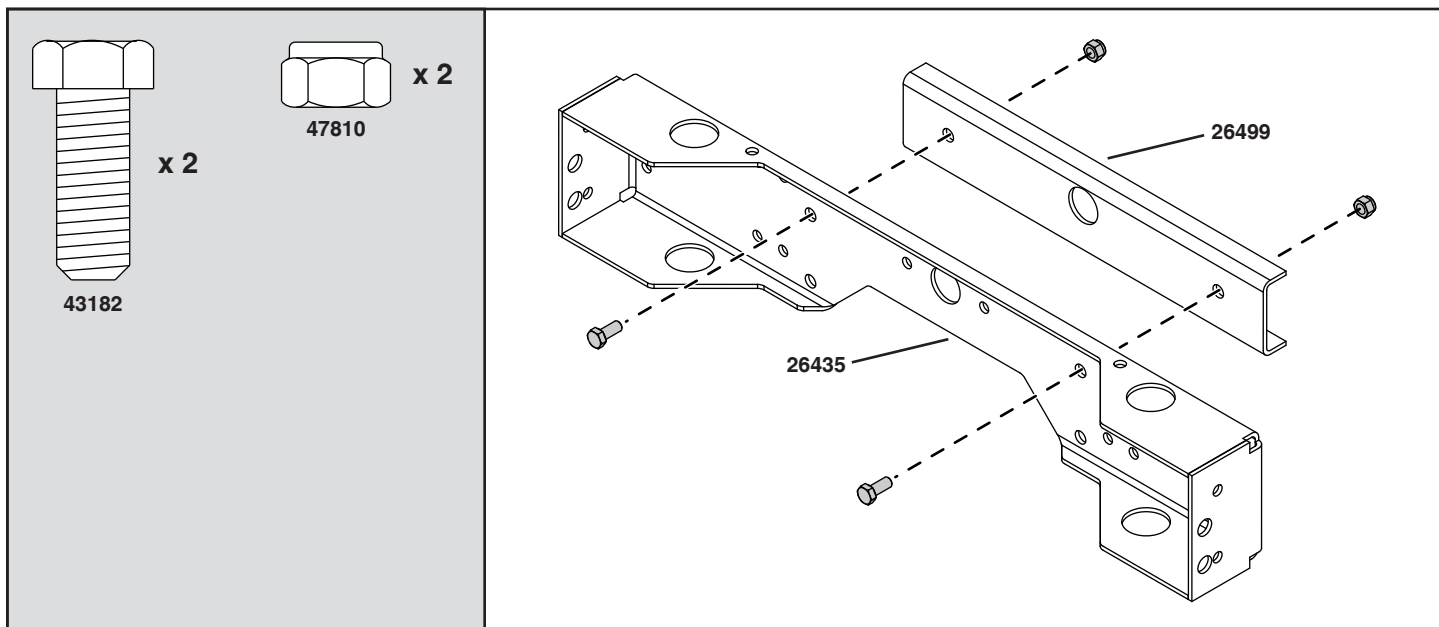
# CUB CADET TRACTOR FIT-UP

## PARTS BAG "D"

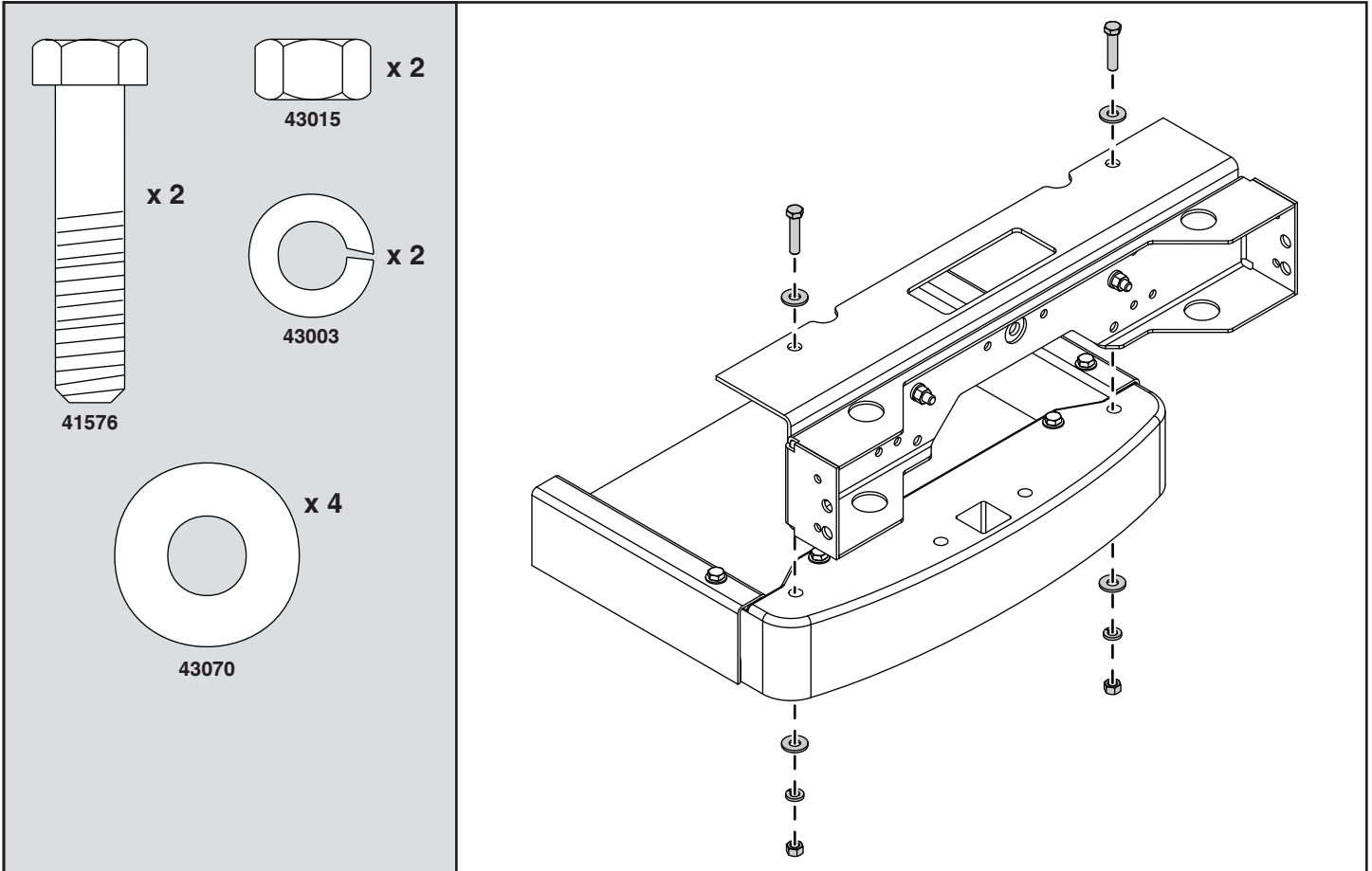
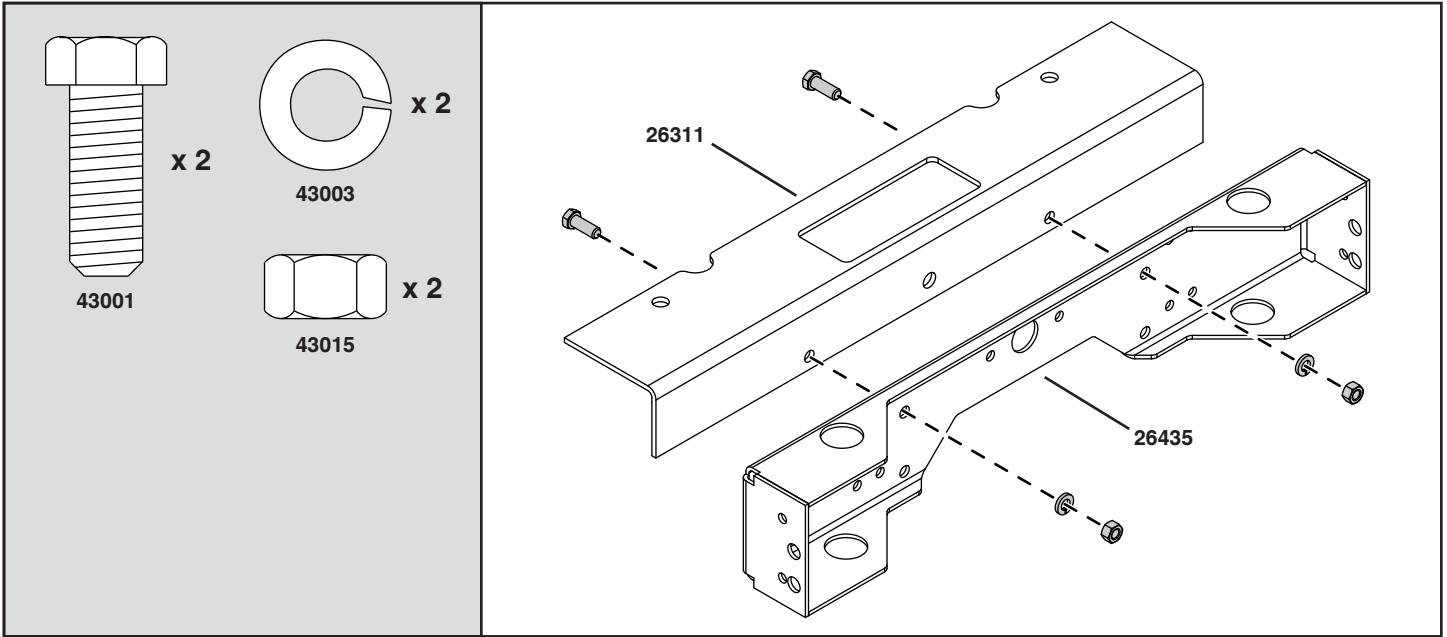


# HUSQVARNA TRACTOR FIT-UP

## PARTS BAG "E"



# TORO ZT TRACTOR FIT-UP



***SpeedEPart*** *the fastest way to purchase parts* [www.speedepart.com](http://www.speedepart.com)

**REPAIR PARTS**

Agri-Fab, Inc.  
809 South Hamilton  
Sullivan, IL 61951  
217-728-8388  
[www.agri-fab.com](http://www.agri-fab.com)